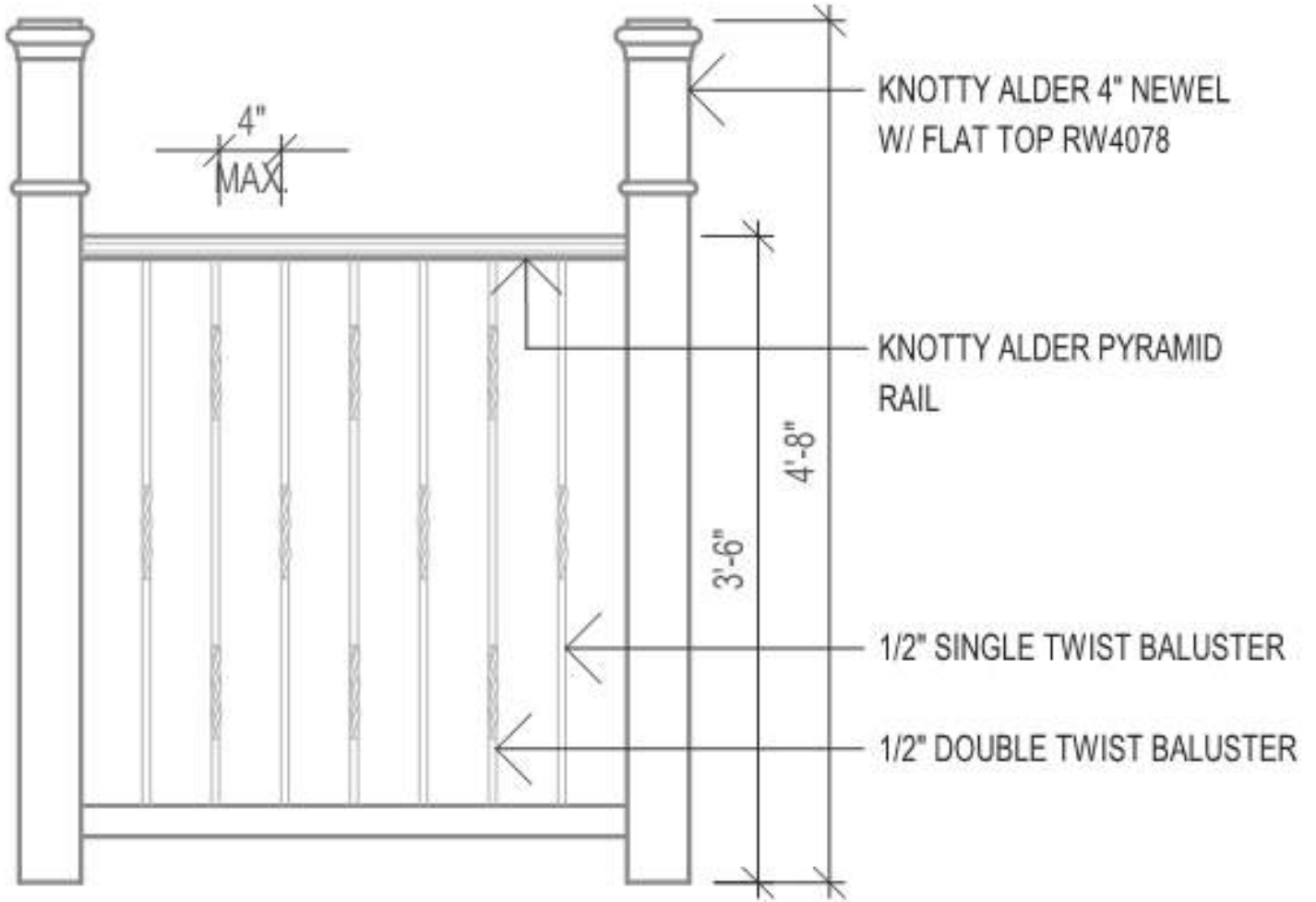


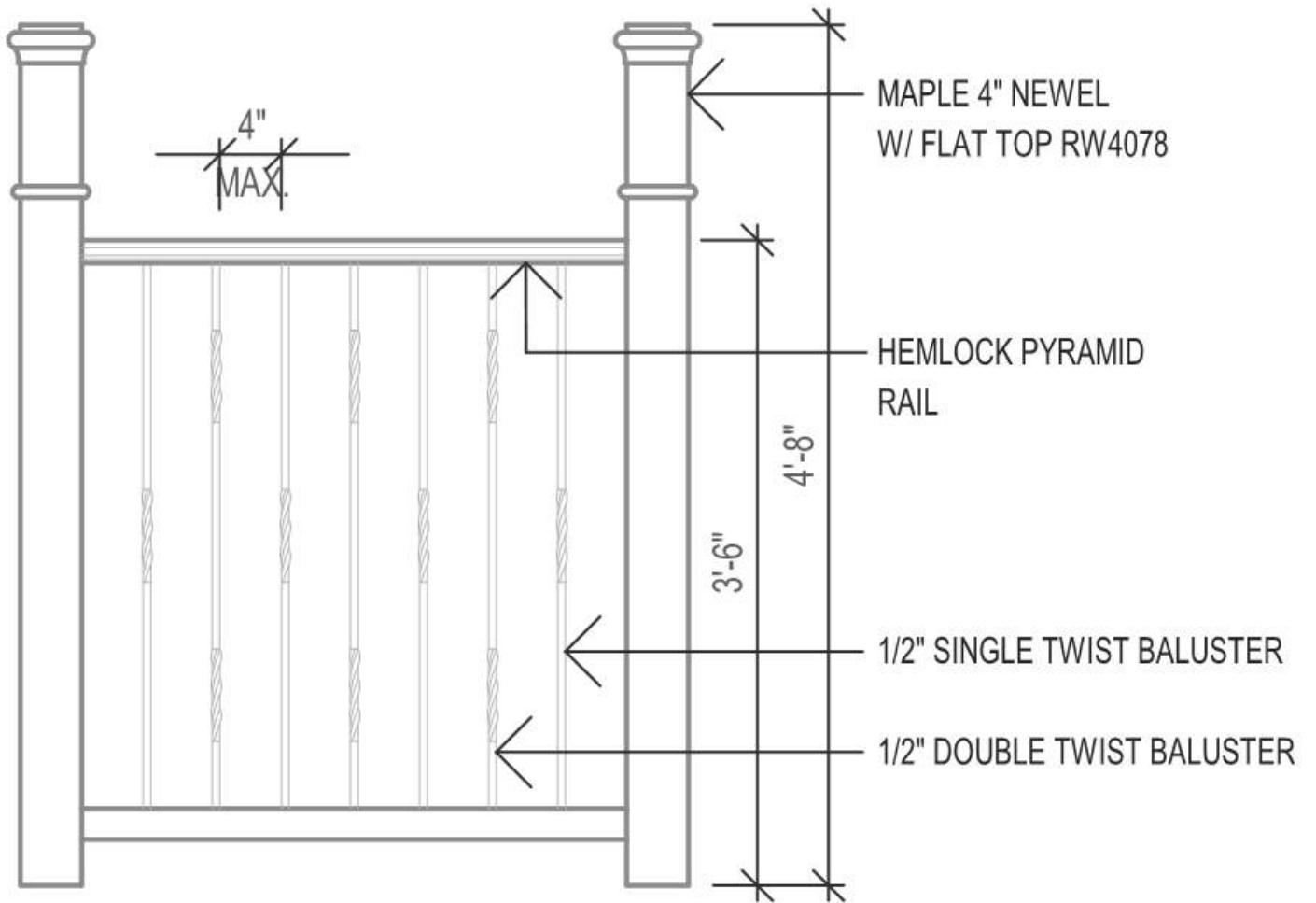
# RAILING CATALOG



## RAIL OPTION #1 (STAIN GRADE, TWIST)

SCALE: 1"=1'-0"

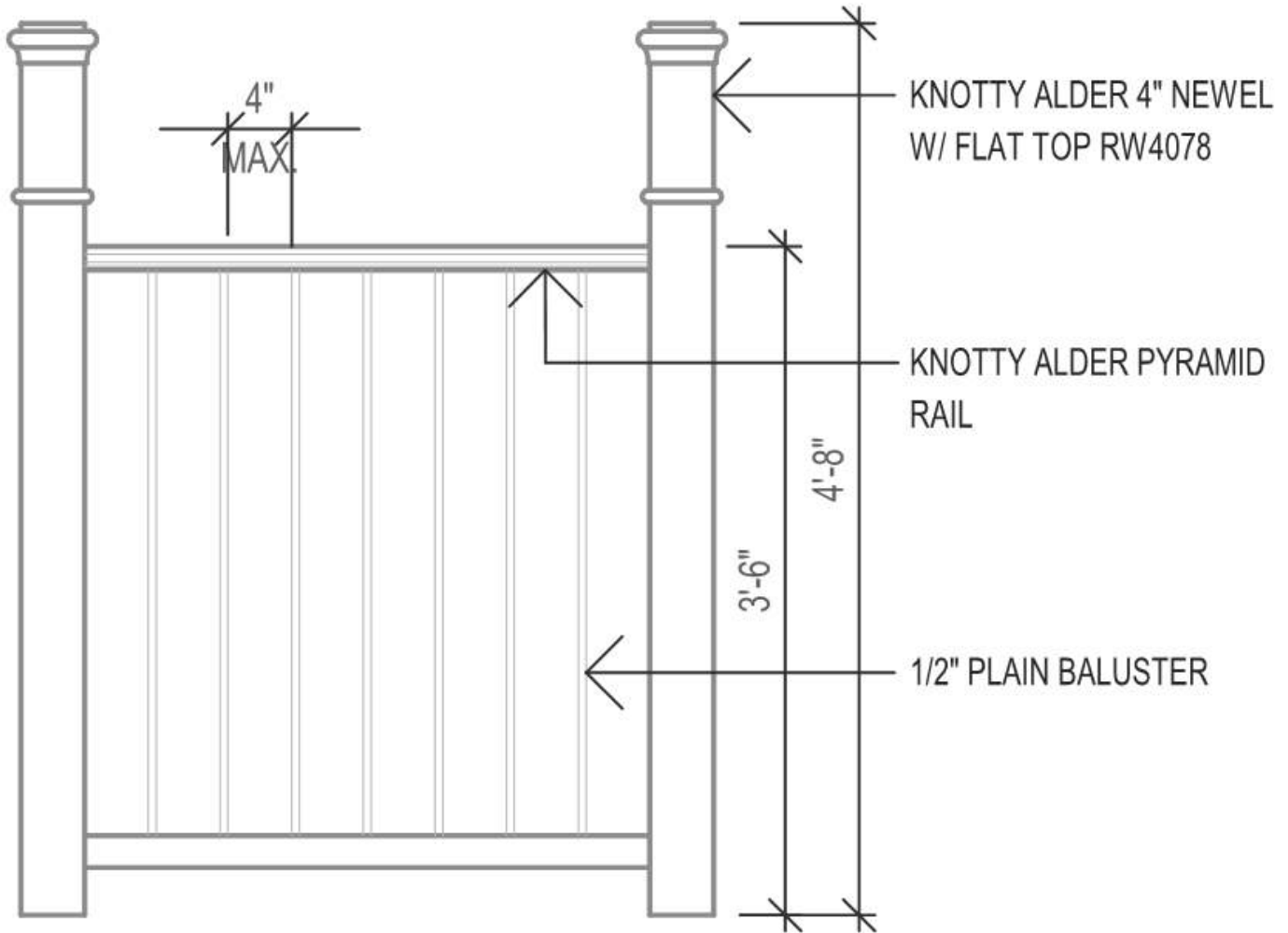
INCLUDED



## RAIL OPTION #2 (PAINT GRADE, TWIST)

SCALE: 1"=1'-0"

INCLUDED

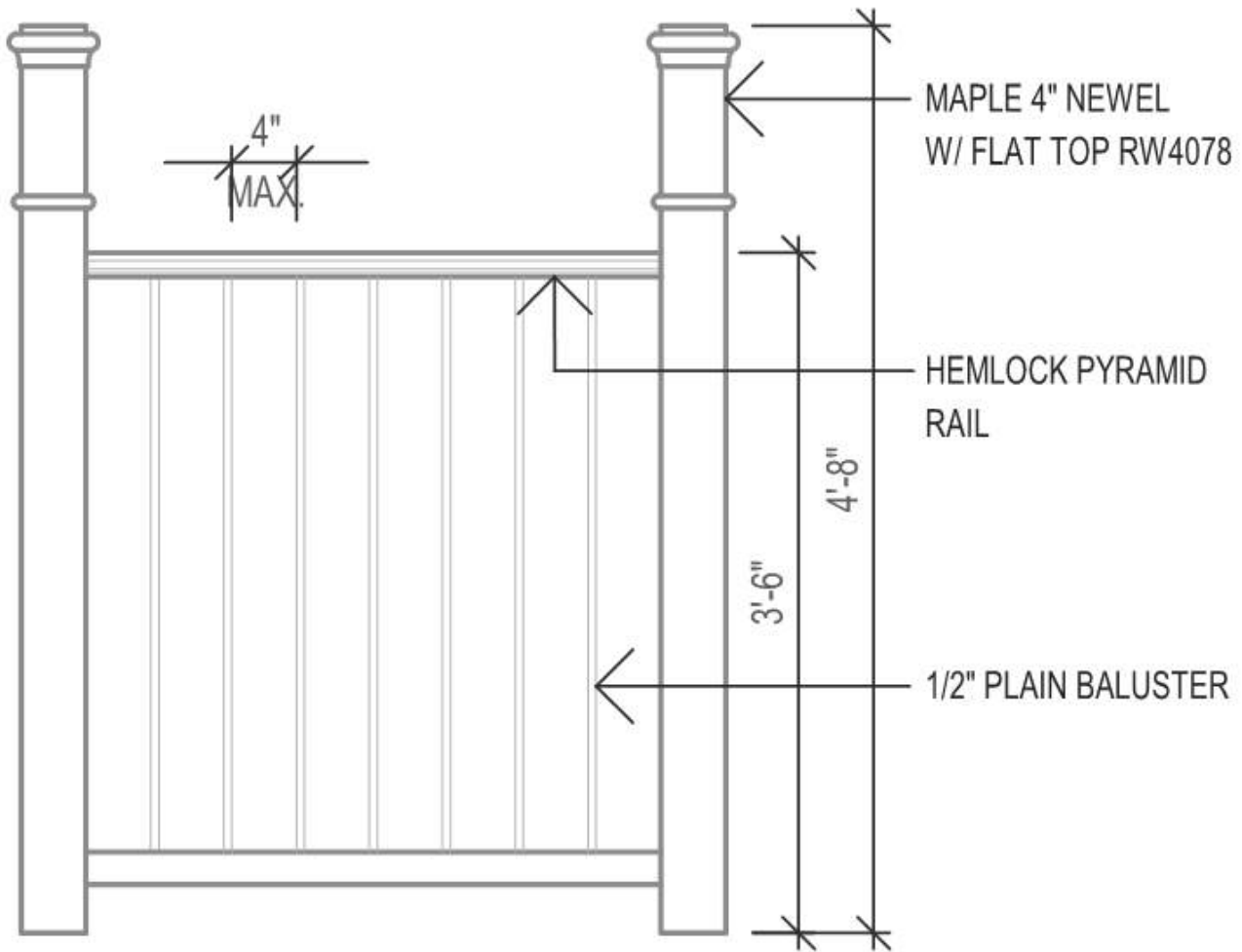


## RAIL OPTION #3 (STAIN GRADE, PLAIN)



SCALE: 1"=1'-0"

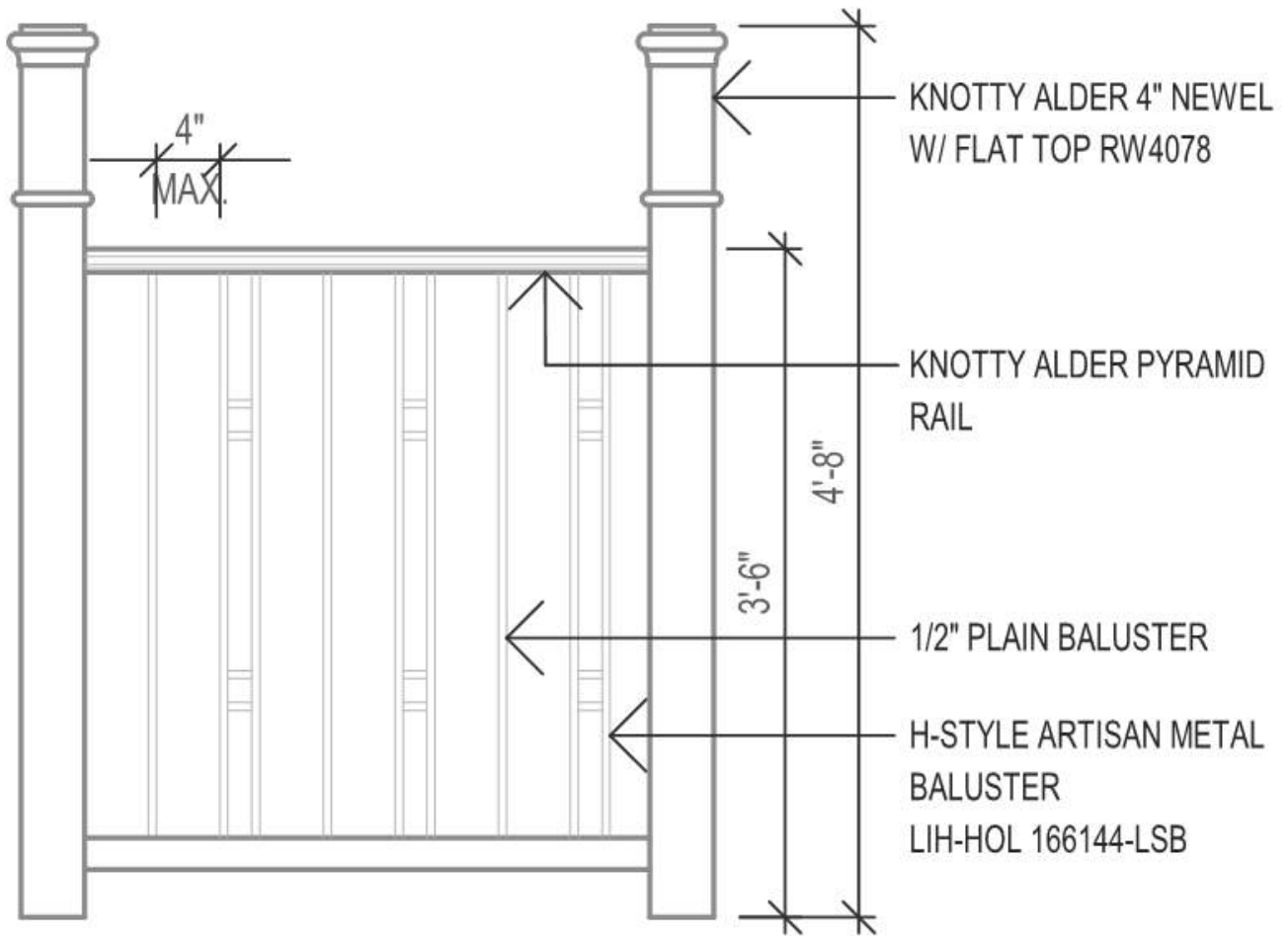
INCLUDED



**RAIL OPTION #4 (PAINT GRADE, PLAIN)**

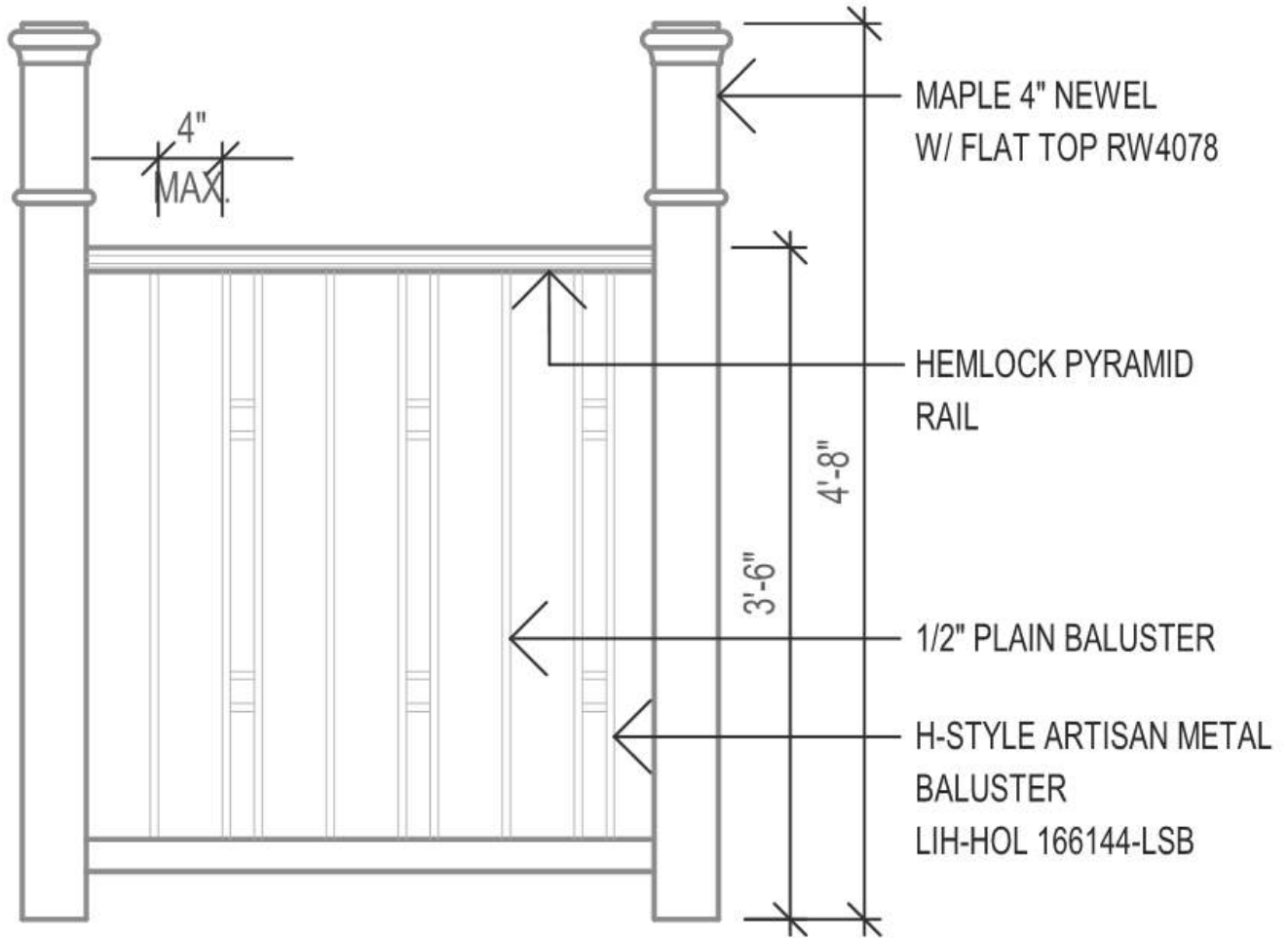
SCALE: 1"=1'-0"

INCLUDED



## RAIL OPTION #5 (STAIN GRADE, ARTISAN)

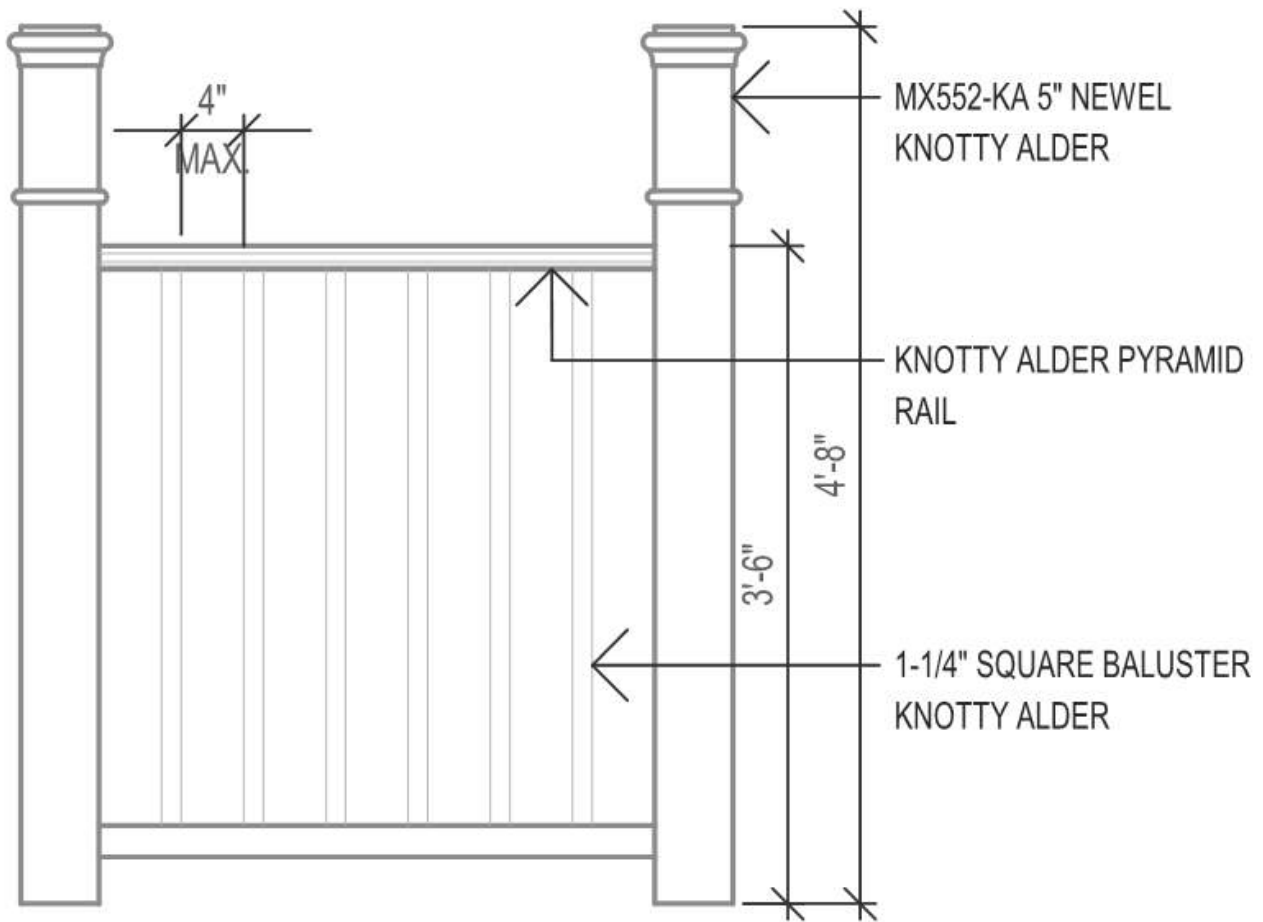
SCALE: 1"=1'-0"



## RAIL OPTION #6 (PAINT GRADE, ARTISAN)

SCALE: 1"=1'-0"

RAIL REQUIRES (3) BALUSTERS PER FOOT - USE 36" HIGH BALUSTERS FOR FLAT RUNS  
USE 42" HIGH BALUSTERS FOR RAKES, TYPICAL

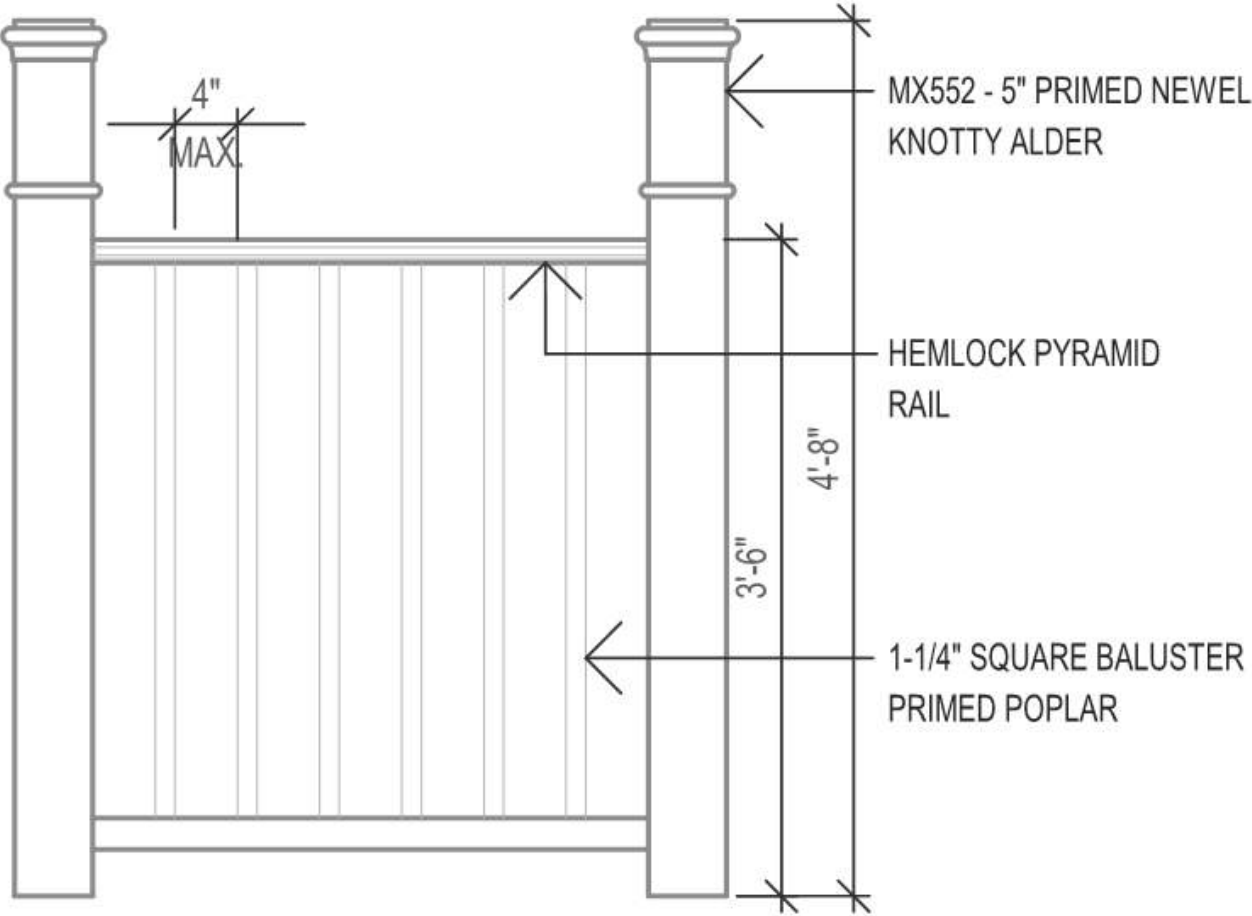


## RAIL OPTION #7 (STAIN GRADE, PLAIN)

SCALE: 1"=1'-0"



RAIL REQUIRES (3) BALUSTERS PER FOOT - USE 36" HIGH BALUSTERS FOR FLAT RUNS  
USE 42" HIGH BALUSTERS FOR RAKES, TYPICAL

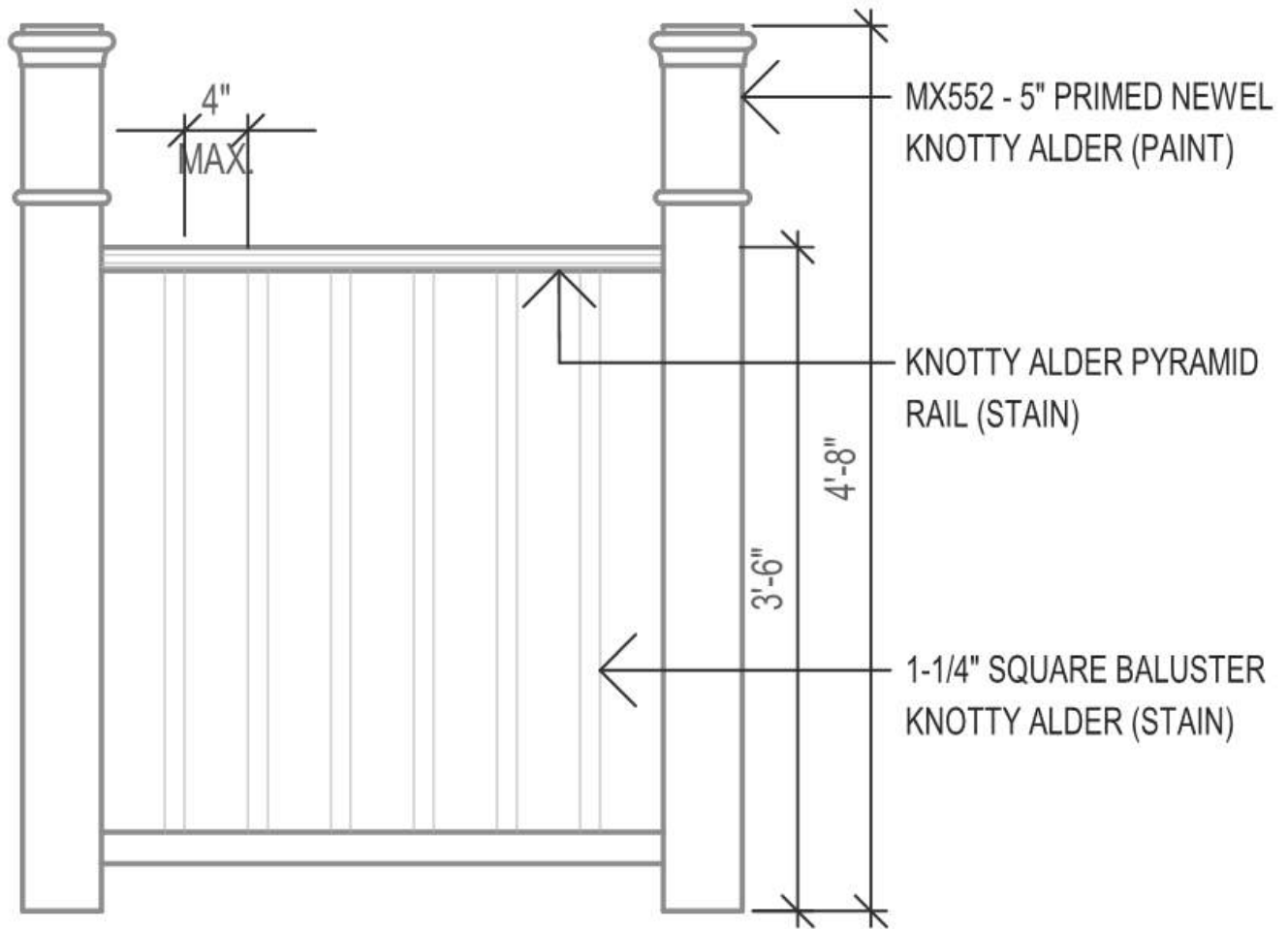


**RAIL OPTION #8 (PAINT GRADE, PLAIN)**

SCALE: 1"=1'-0"

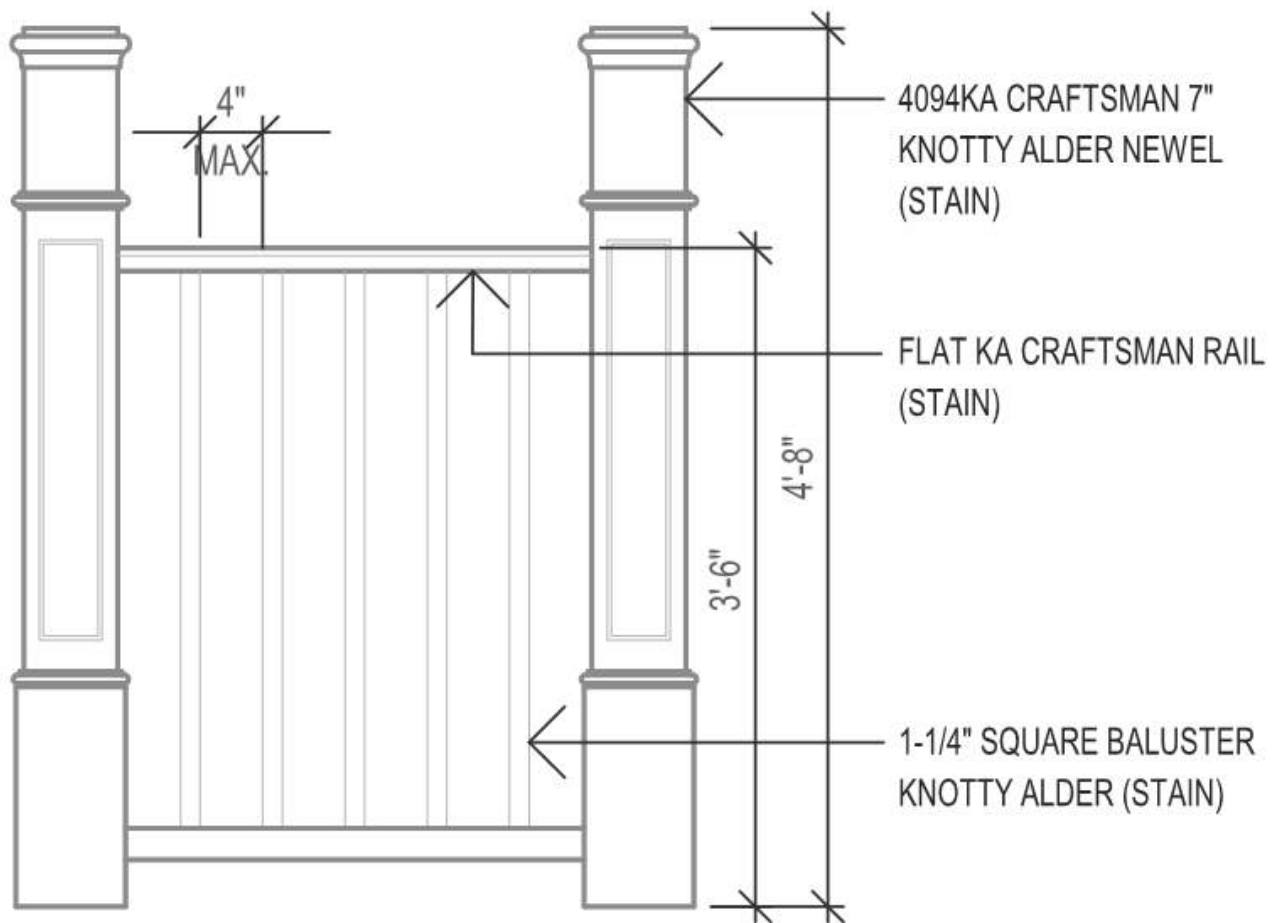


RAIL REQUIRES (3) BALUSTERS PER FOOT - USE 36" HIGH BALUSTERS FOR FLAT RUNS  
USE 42" HIGH BALUSTERS FOR RAKES, TYPICAL



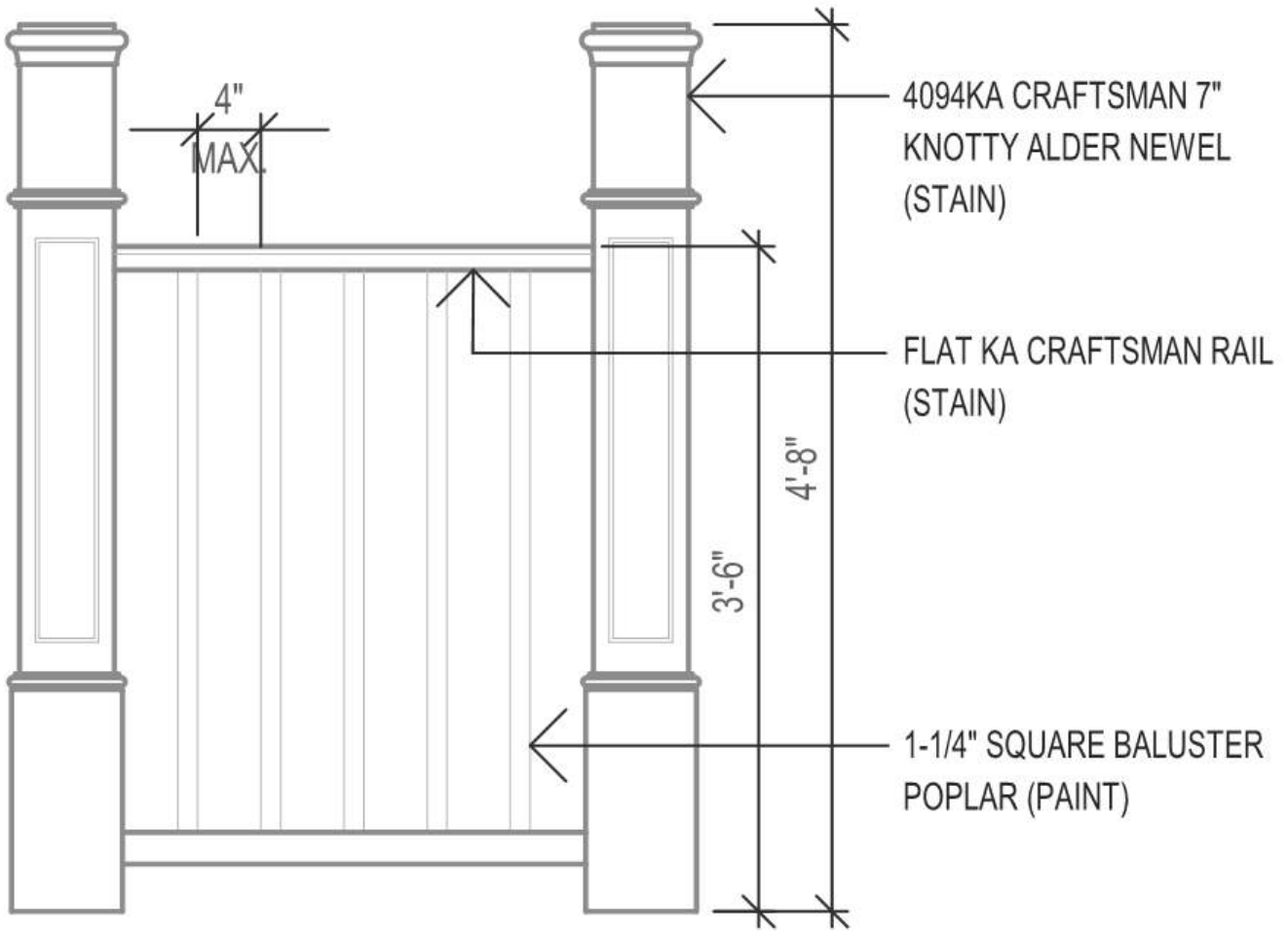
## RAIL OPTION #10 (PAINT GRADE, PLAIN)

SCALE: 1"=1'-0"



## RAIL OPTION #11 (STAIN GRADE, ARTISAN)

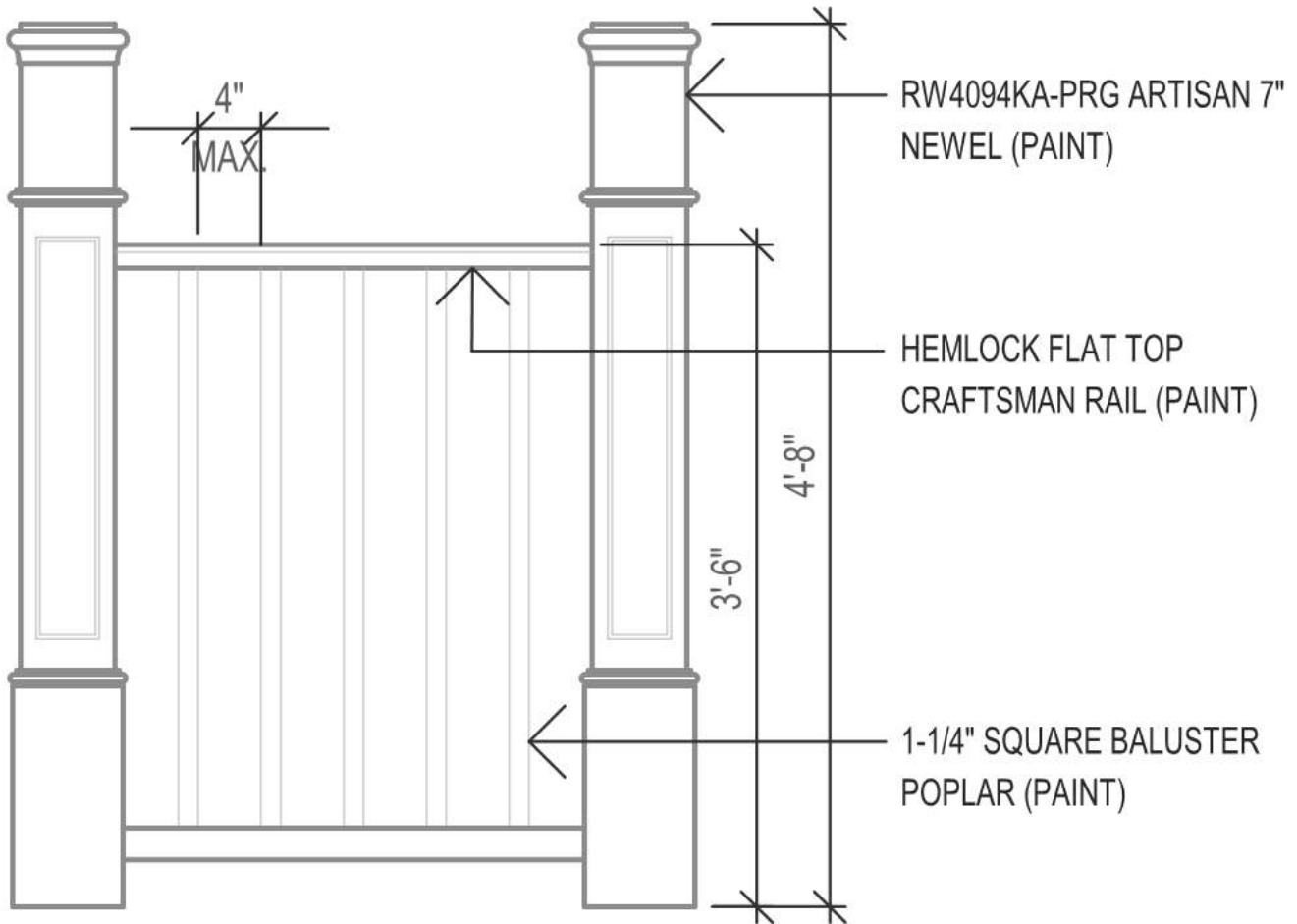
SCALE: 1"=1'-0"



**RAIL OPTION #12 (STAIN GRADE, ARTISAN)**

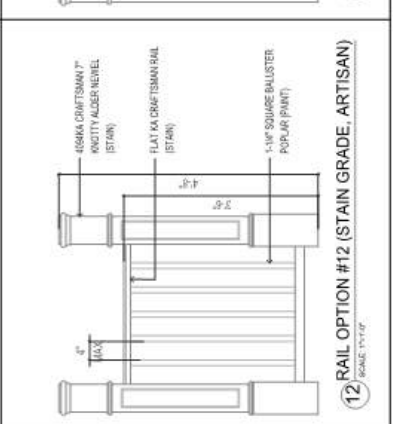
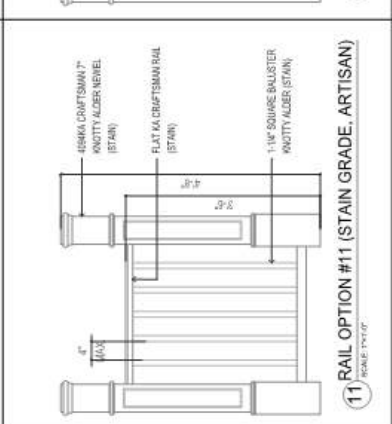
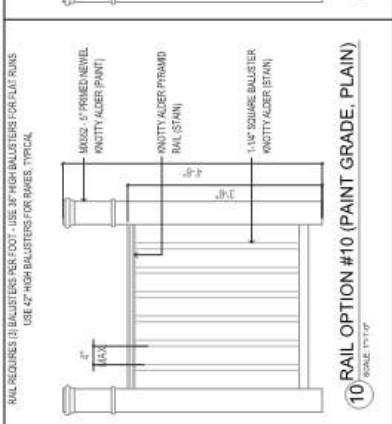
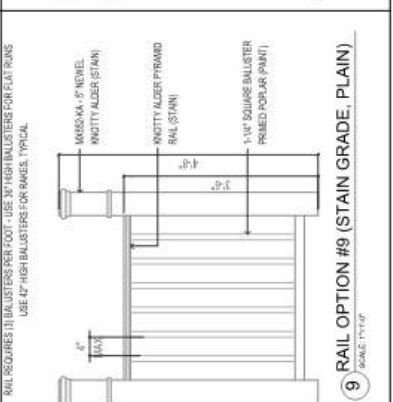
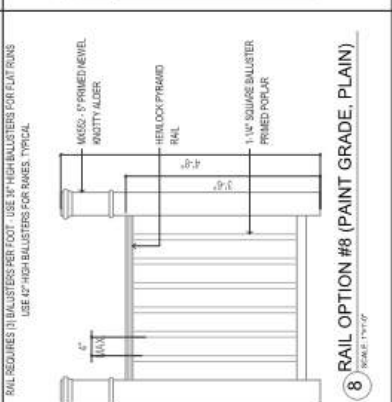
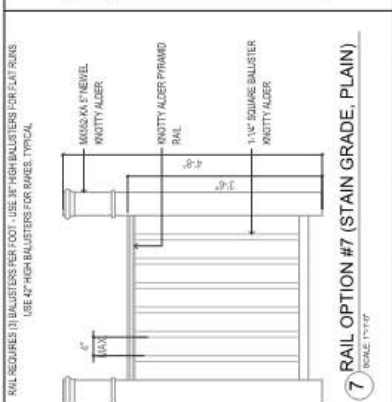
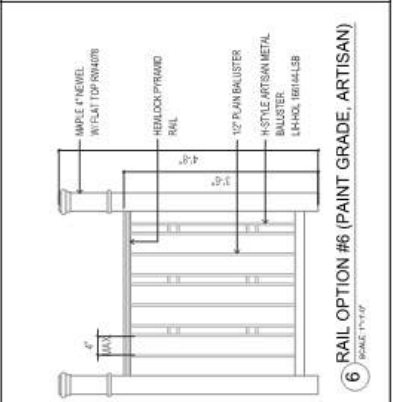
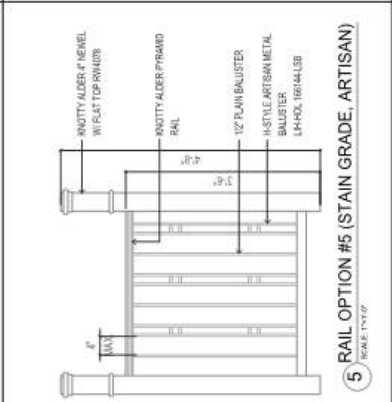
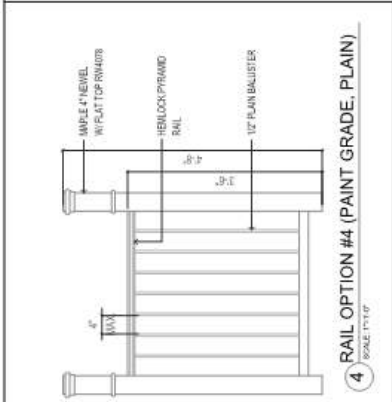
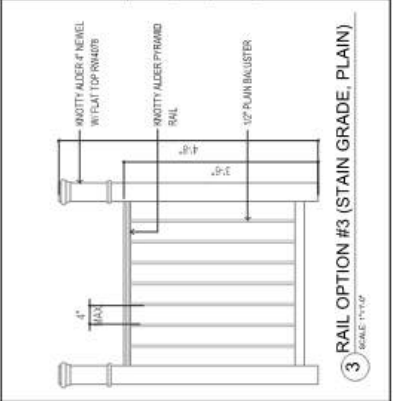
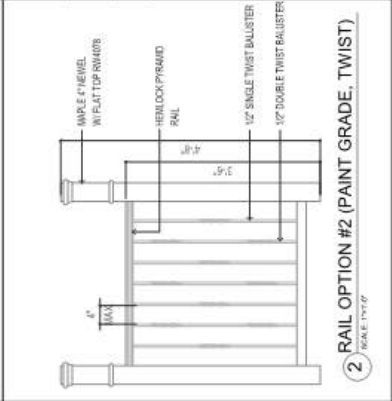
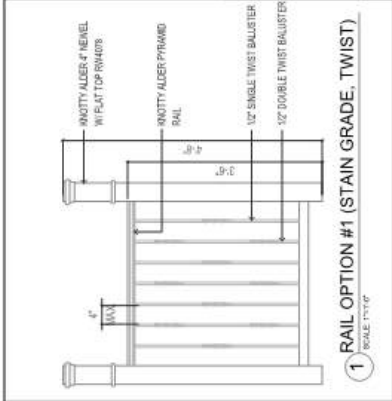


SCALE: 1"=1'-0"



## RAIL OPTION #13 (PAINT GRADE, ARTISAN)

SCALE: 1"=1'-0"



# OPTION 14 All Metal Round Balusters





# OPTION 15 All Metal Square Balusters



# OPTION 16 All Metal



# OPTION 17 All Metal



# OPTION 18 All Metal

