

A modern kitchen featuring dark wood cabinetry, a white countertop, and a large island with a white marble top. The island has two white bar stools. In the background, there are built-in ovens and a refrigerator. A chandelier with multiple light bulbs hangs over the island. The text "BOOKSHELVES & MUDROOM BENCHES CATALOG" is overlaid in large, bold, black letters.

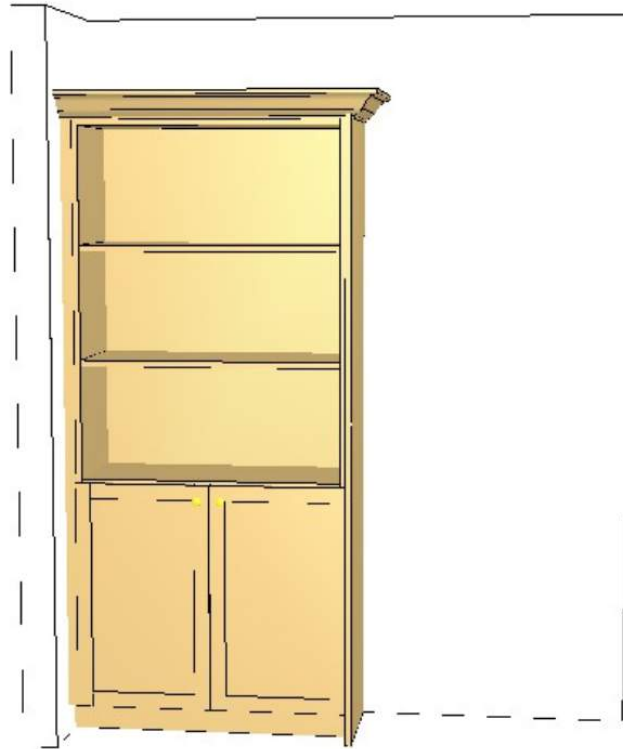
BOOKSHELVES & MUDROOM BENCHES CATALOG

Visionary Homes Design Online

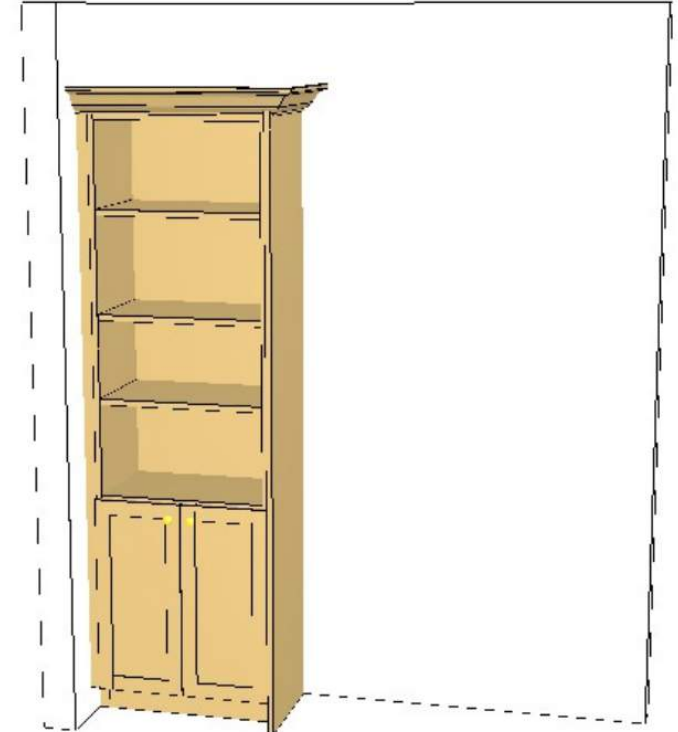
Bookshelves



BUILT-IN BOOKCASE EXAMPLE
(3 FEET WIDE 7 FEET TALL BOOKCASE)



3' WIDE 7' HIGH BOOKCASE



2' WIDE 7' HIGH BOOKCASE

* Cabinet built bookcases
can be paired only with
Fireplace mantels that are
cabinet-built mantels.

A modern kitchen featuring a large island with a white marble countertop and a grey marble base. The island is surrounded by white bar stools. The kitchen has dark wood cabinets, a white subway tile backsplash, and a large window. Two modern, multi-bulb pendant lights hang over the island. A white refrigerator is visible on the right side of the kitchen. The text "MUDROOM BENCHES" is overlaid in the center of the image.

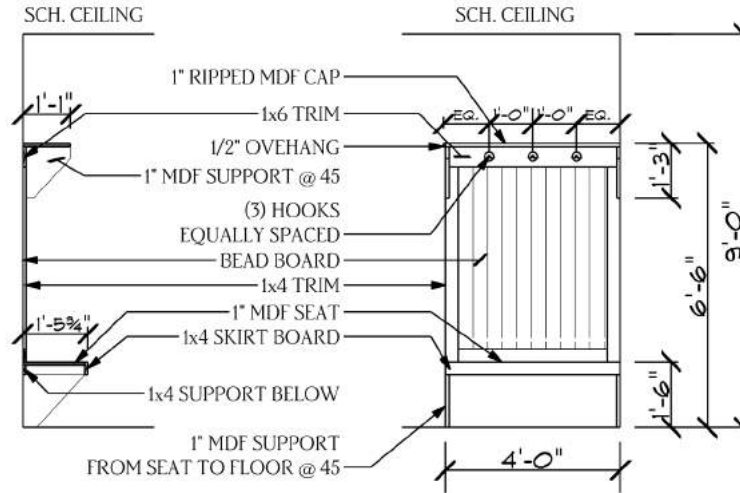
MUDROOM BENCHES

Mudroom Bench Options

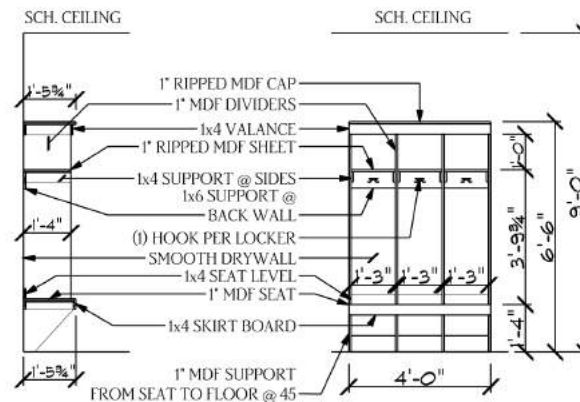


Figure 1.

- Mudroom Bench with hooks (fig 1)



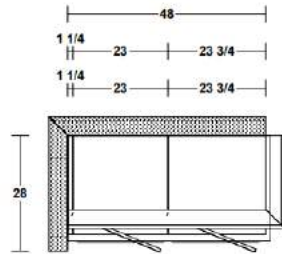
- Mudroom MDF lockers/cubbies



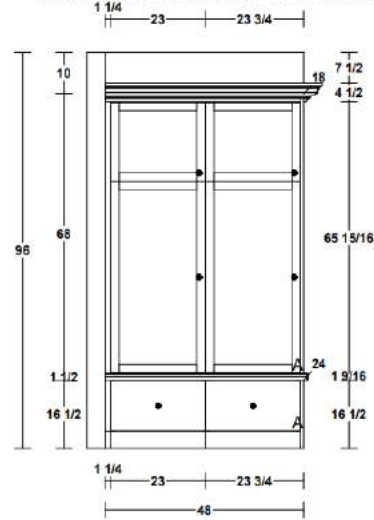
Mudroom Locker Options

Option 1:

VH 4 FT LOCKERS 7 FT HIGH

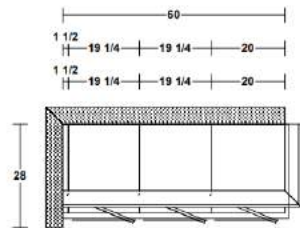


VH 4 FT LOCKERS 7 FT HIGH

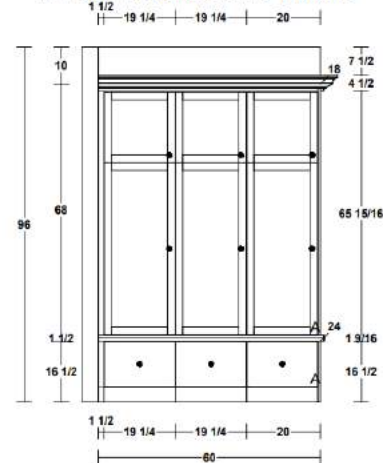


Option 2:

VH 5 FT LOCKERS 7 FT HIGH



VH 5 FT LOCKERS 7 FT HIGH



* Available with
or without
cabinet doors