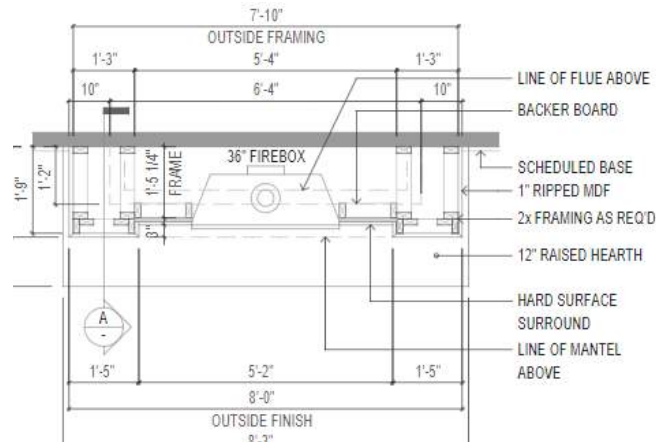
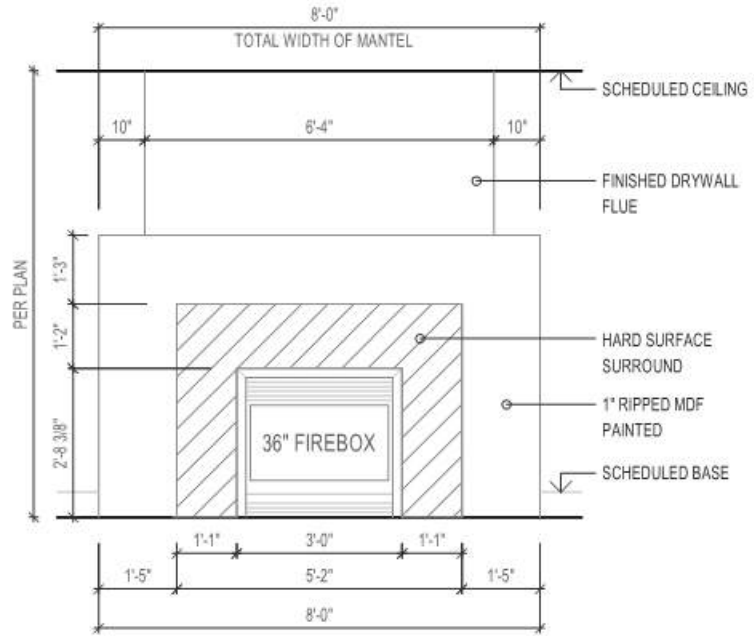


A modern kitchen featuring a white marble island with a white fireplace. The kitchen has dark wood cabinets, a white countertop, and a white backsplash. A white refrigerator is on the right, and a white oven is on the left. Two modern pendant lights hang over the island. The text "FIREPLACE DETAILS" is overlaid in the center.

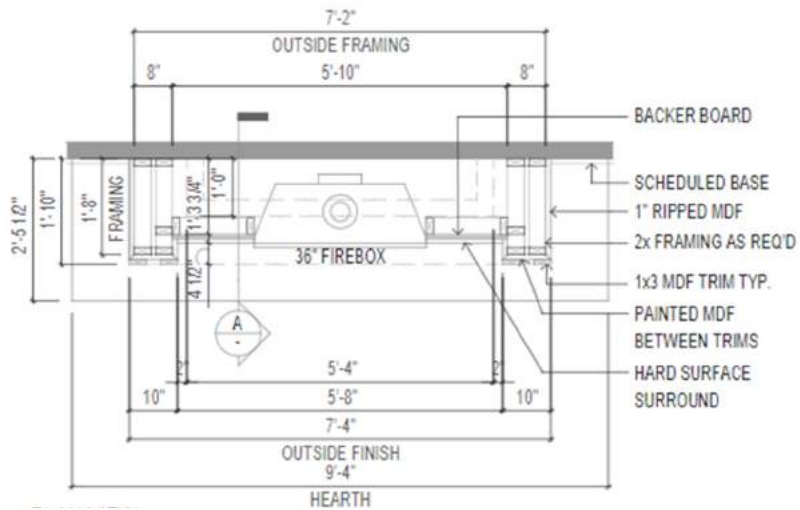
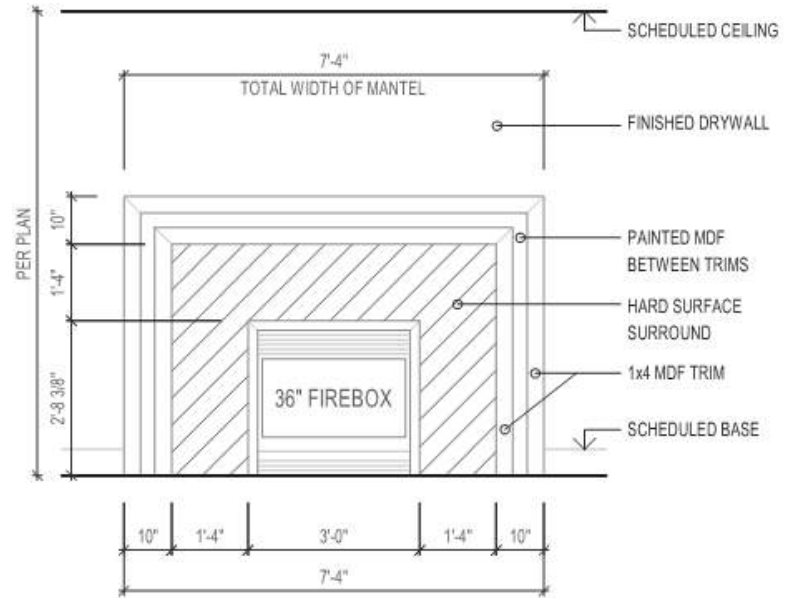
# FIREPLACE DETAILS

# Fireplace Mantels



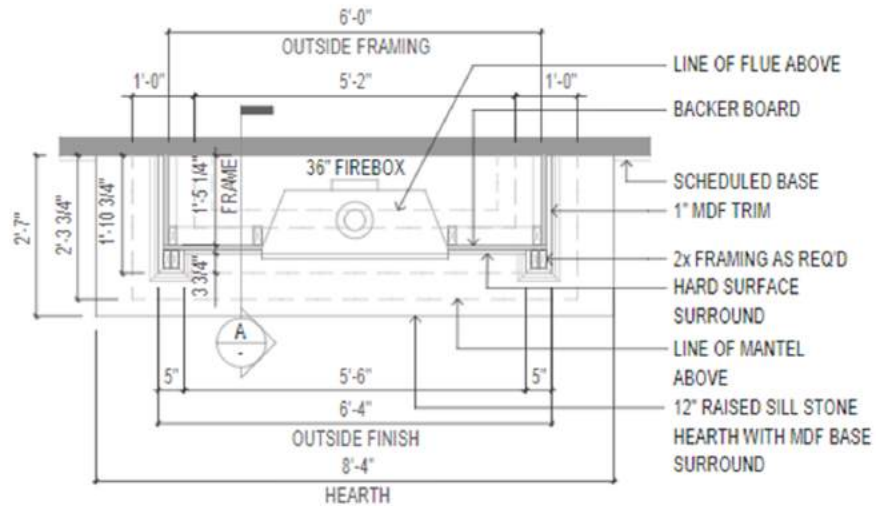
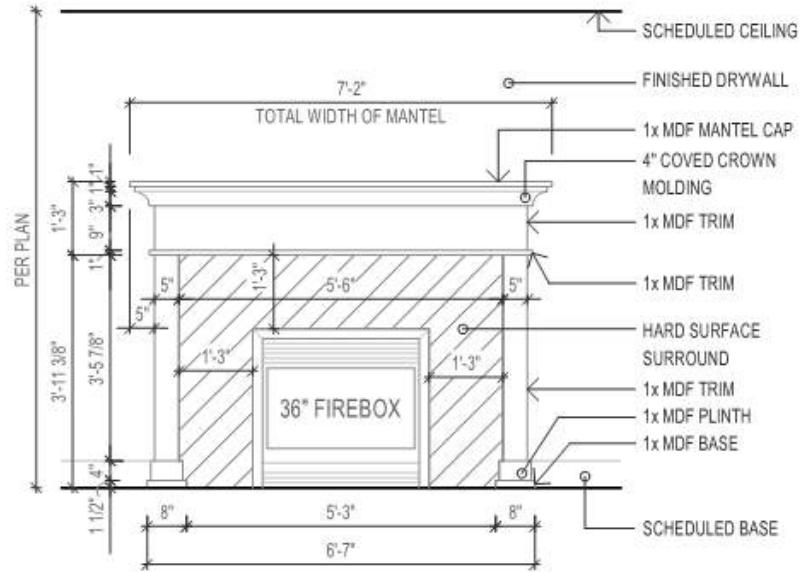
CONTEMPORARY 1 VTR FIREPLACE

# Fireplace Mantels



CONTEMPORARY 2 DV FIREPLACE

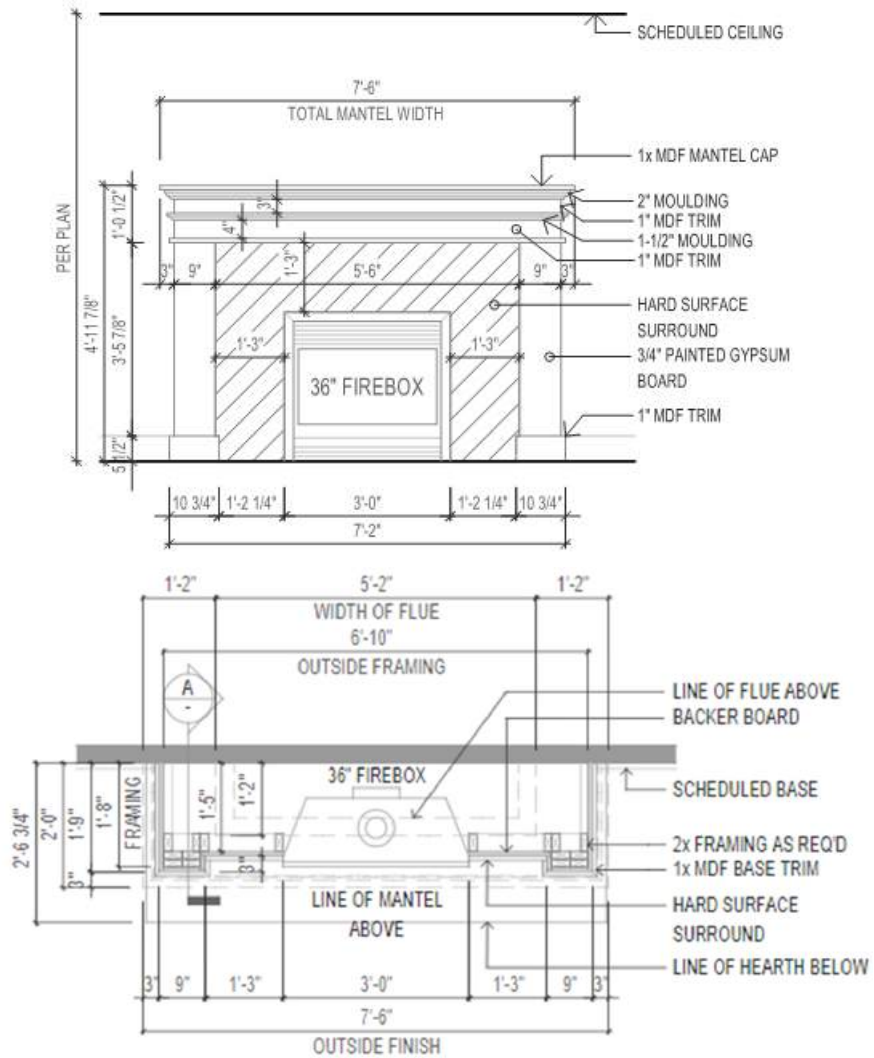
# Fireplace Mantels



TRADITIONAL 1 DV FIREPLACE



# Fireplace Mantels

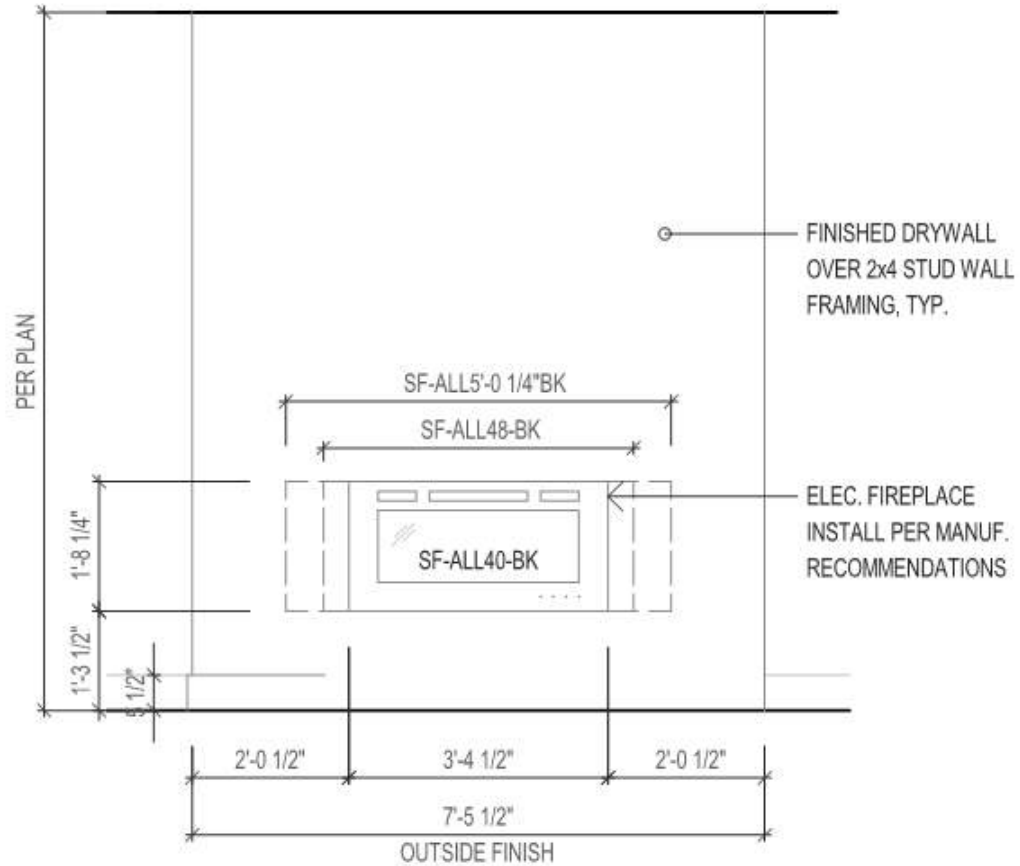


TRADITIONAL 3 DV FIREPLACE

# Fireplace Additional Trim



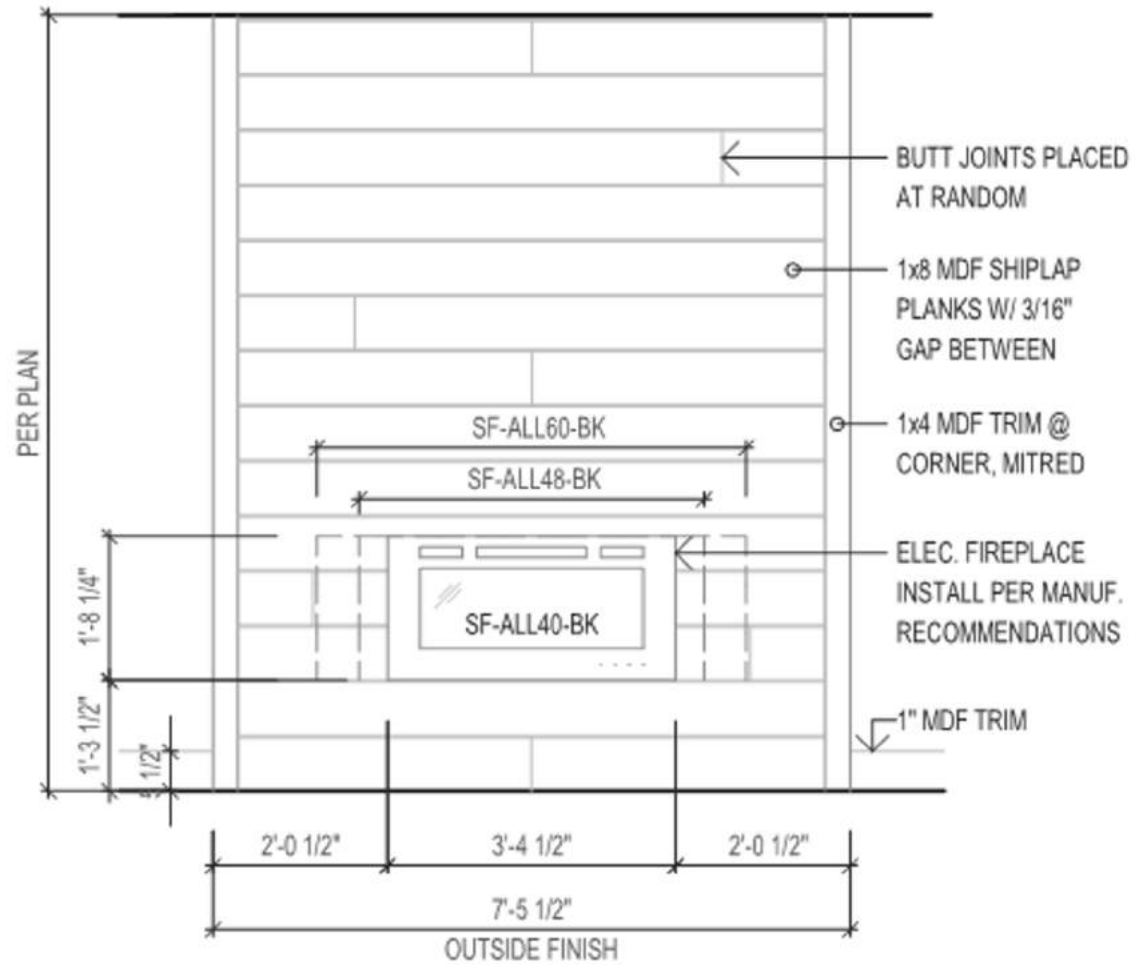
# Fireplace: Electric



ELEVATION VIEW



# Fireplace: Electric

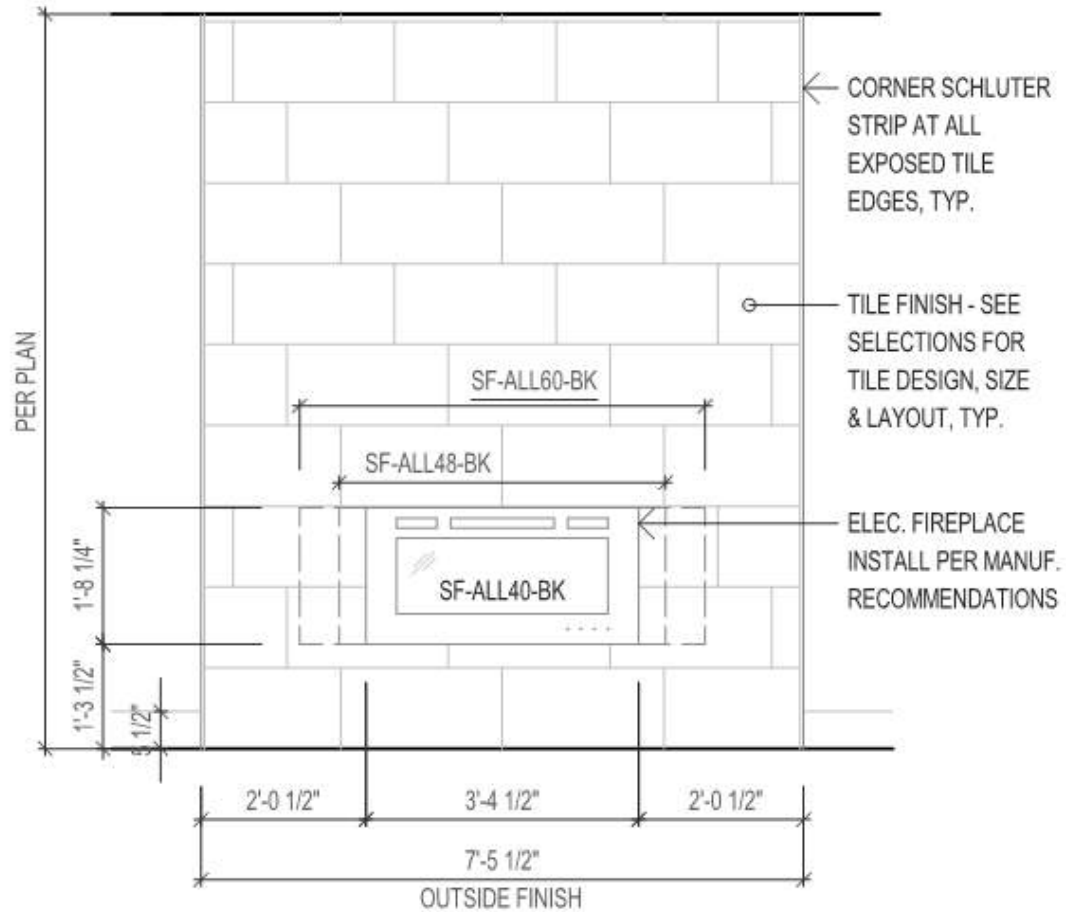


ELEVATION VIEW



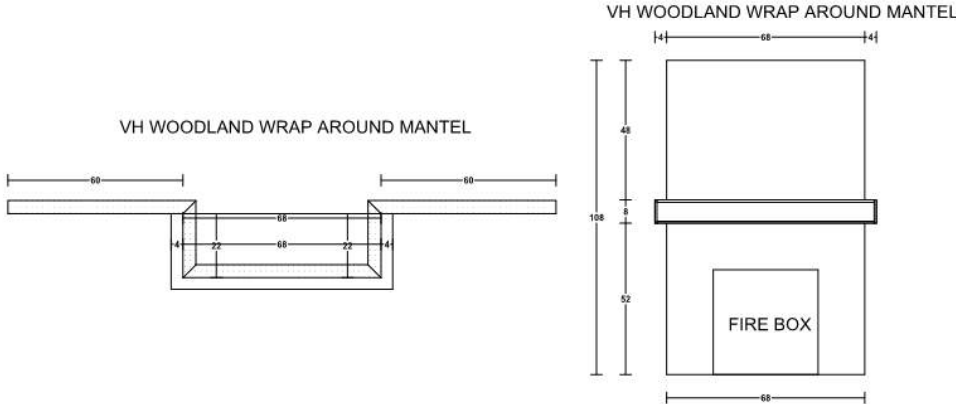
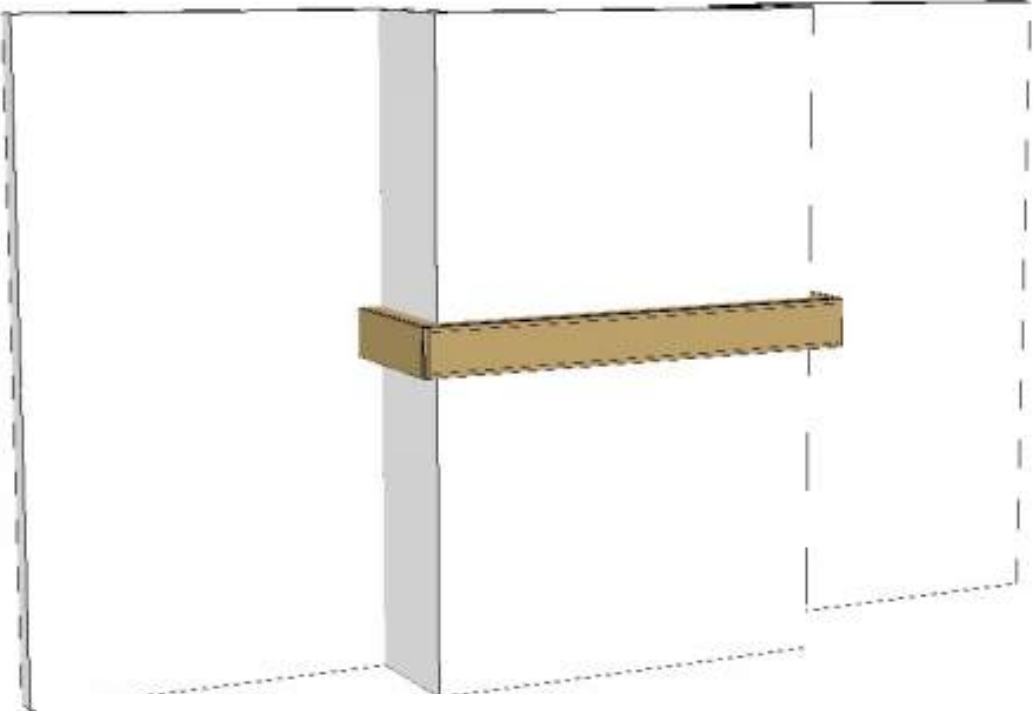
Electric w/ Shiplap Finish

# Fireplace: Electric

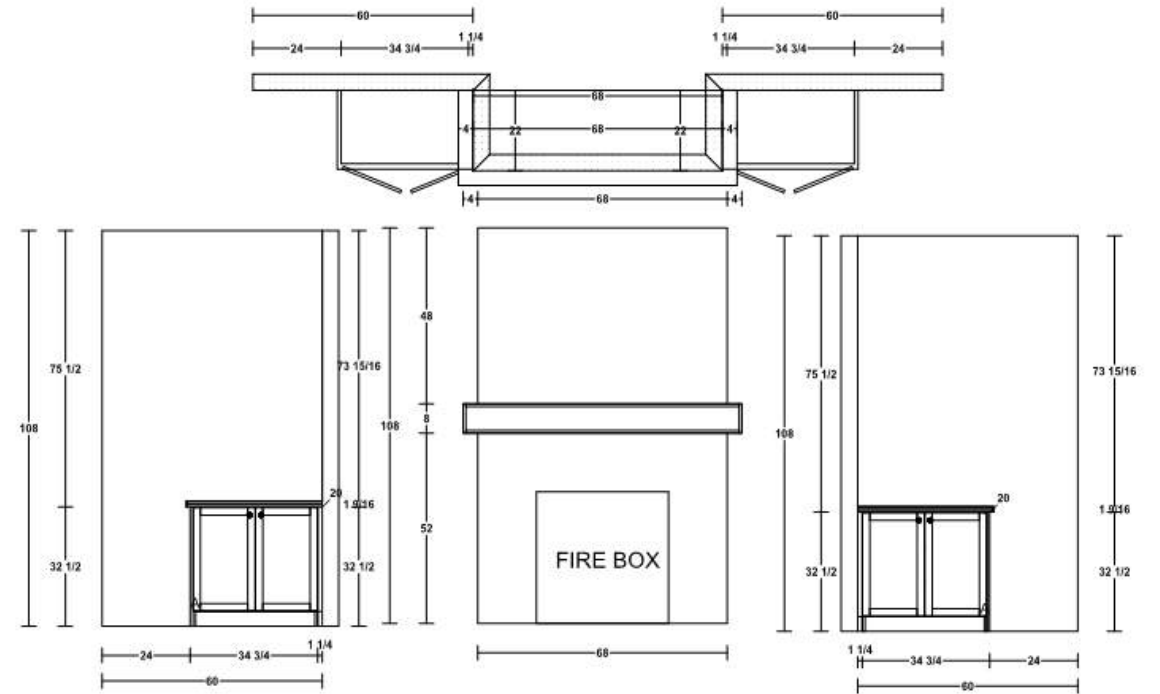
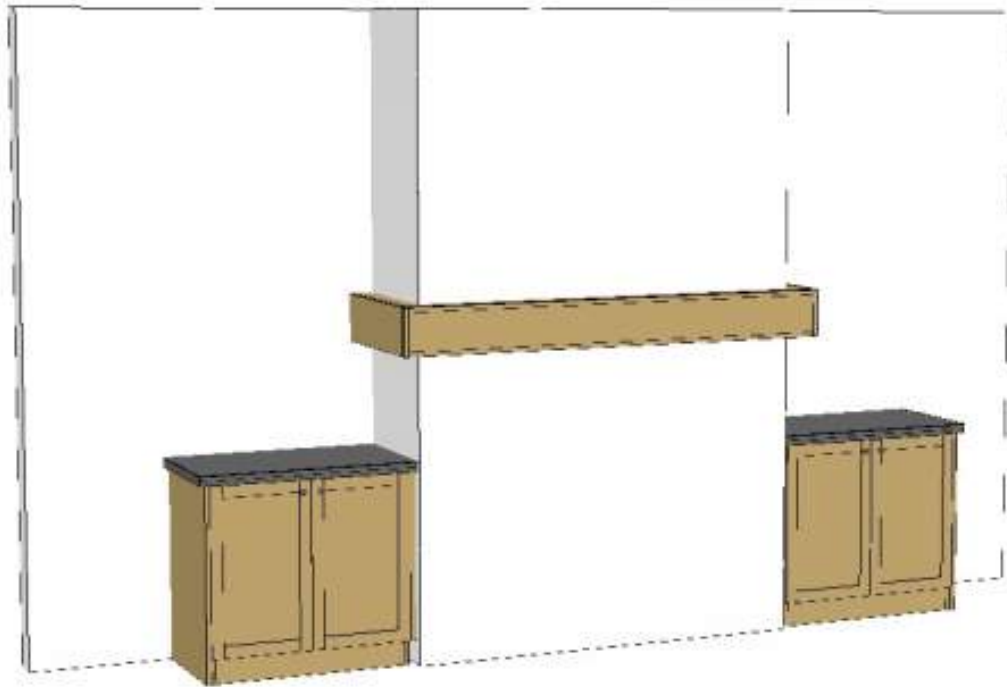


ELEVATION VIEW

# Fireplace: Woodland Wrap Around Mantel



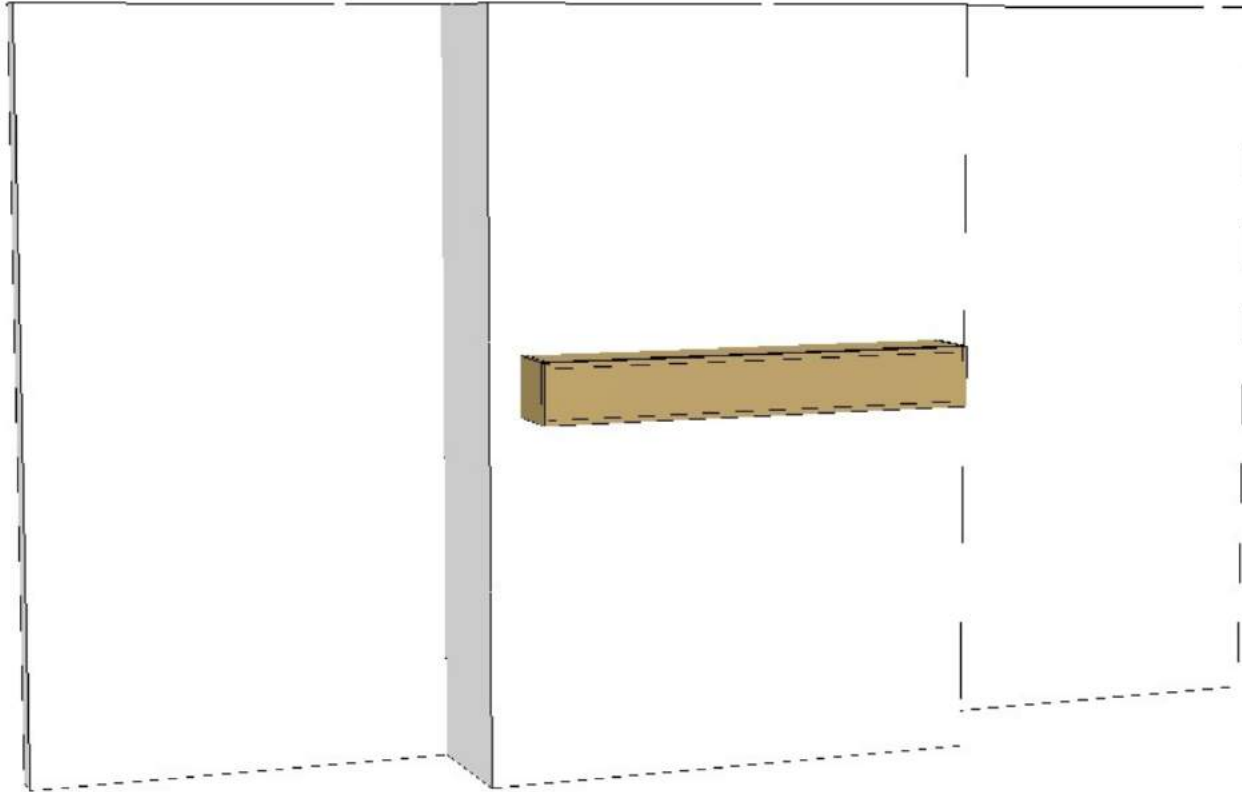
# Fireplace: Woodland Wrap Around Mantel W/ Base Cabinets





# Fireplace: Block Mantel Up to 72"

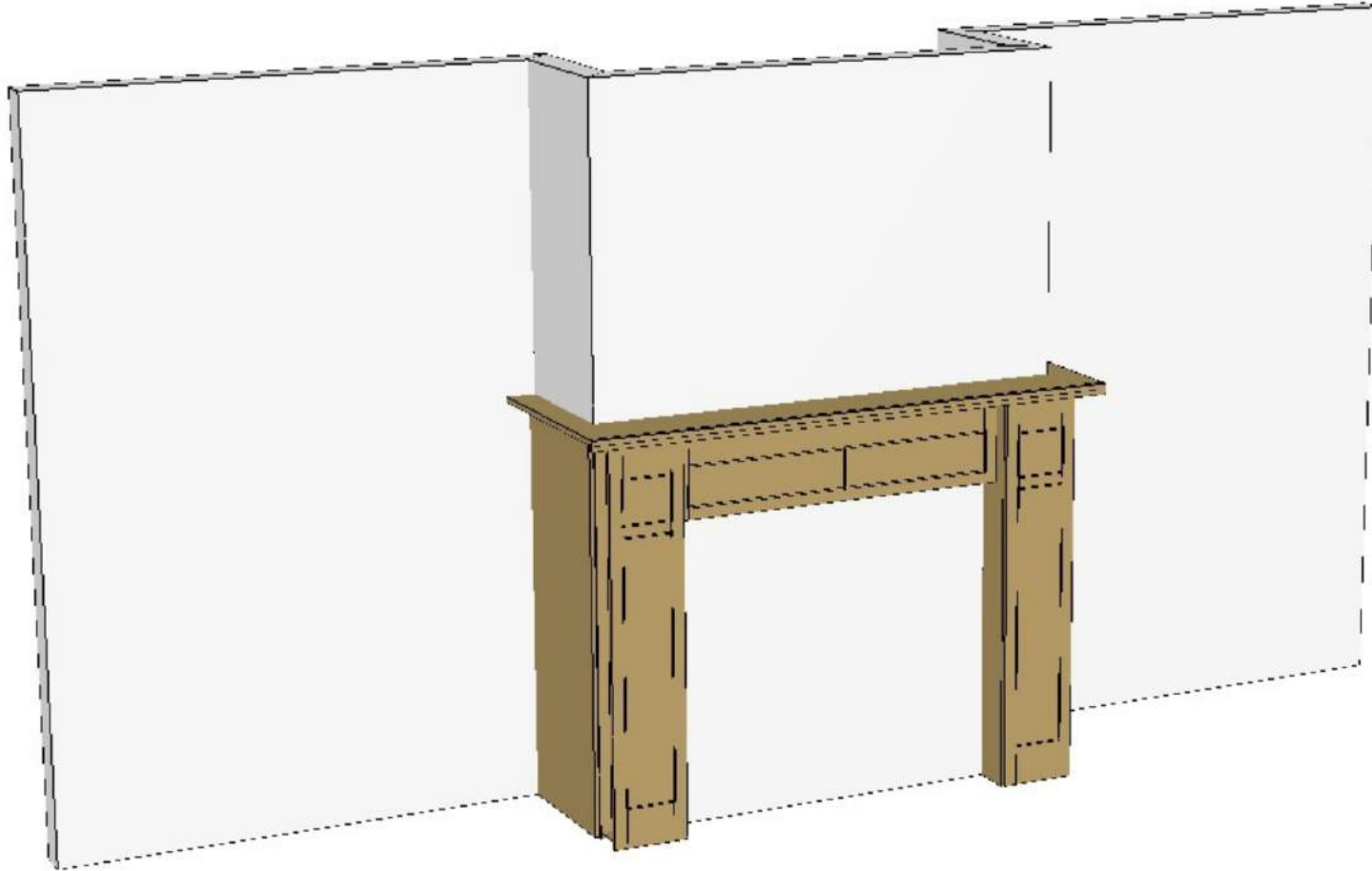
## VH BLOCK MANTEL UP TO 72"



\*\*Upgrade is for Electric Fireplaces  
adding above drywall

# Fireplace: Mantel W/ Legs

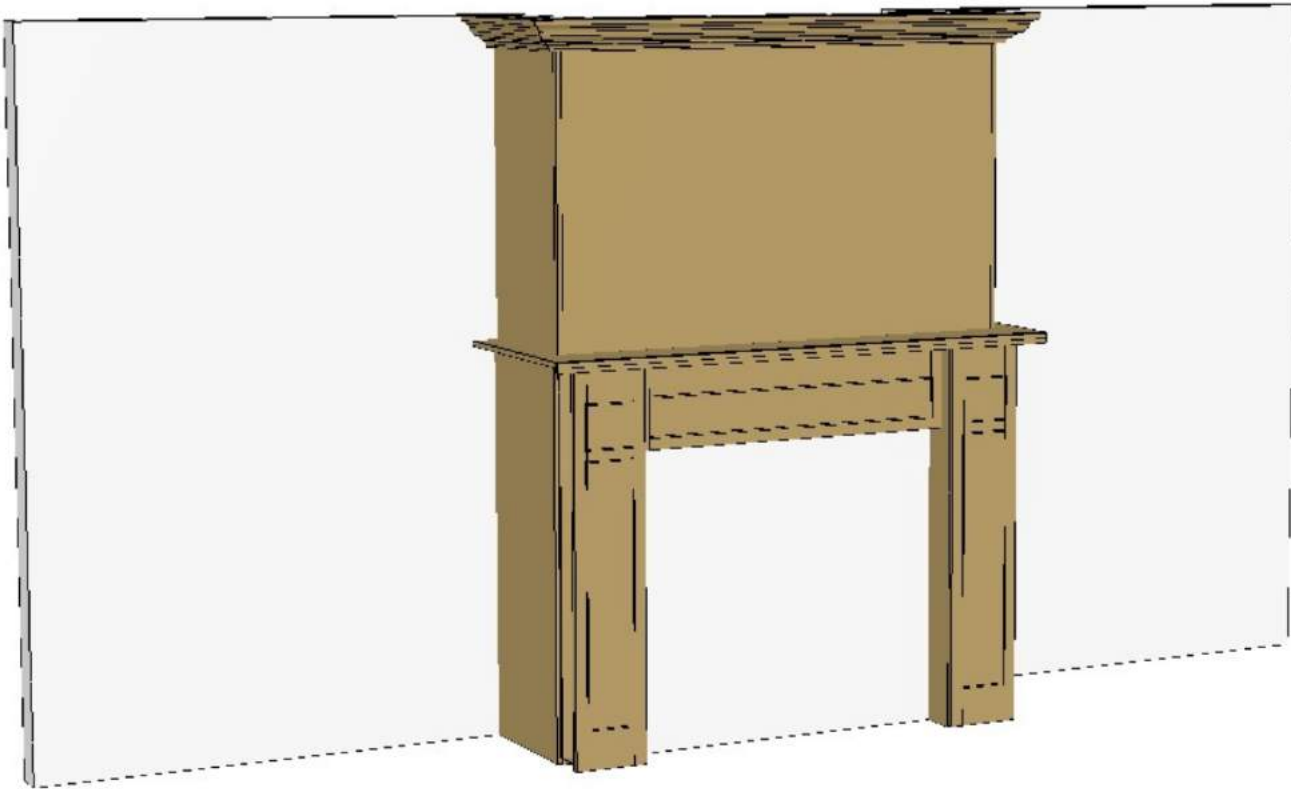
## VH MANTEL W/LEGS



\*\*Cabinet Made

# Fireplace: Mantel w/ Wrap Around & Legs

VH MANTEL WITH WRAP AROUND AND LEGS



\*\*Cabinet Made



# Fireplace: Inserts



Included 36" Firebox 18,000 BTU



Allusion 48" Flush Mount Electric



Optional 36" Firebox 25,000 BTU



Allusion 60" Flush Mount Electric